

Enclosures:

Cast Aluminum:

Oven baked powder coating
 hammertone grey

Also available in SS 316

Wheaterproof IP 66 -
 EN 60529

(ATEX: Ex de IIC T6

Repeatability:

typical 0.2% of Full Scale

Standard unit:

Degrees Celsius

Optional: Fahrenheit

Standard process conetion:
 1/2" NPT M

Standard Buld Diameter:
 10 mm

For wetted parts:

more possibilities available,
 see full catalogue

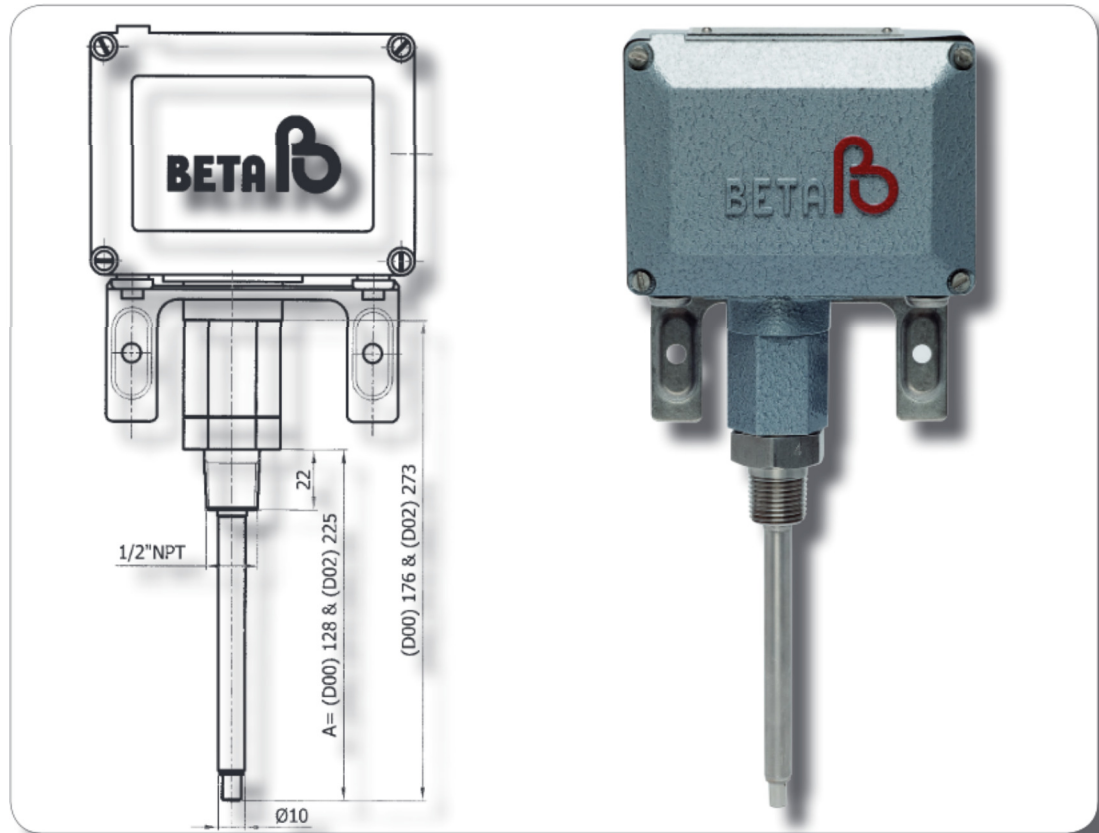
**BETA SWITCHES ARE,
 BUILT TO LAST!**

Do you want to know more:

Please contact your local dealer
 and ask for the General Bulletin.
 Or contact us directly!



www.beta-b.nl



Ranges for Temperature switches

RANGE CODE	ADJUSTABLE RANGE		MAX. DEADBAND ³⁾		MAX. TEMPERATURE		PROOF TEMPERATURE		MAX. PROCESS PRESSURE	
	MIN	MAX	MIN	MAX	MIN	MAX	MIN	MAX	MIN	MAX
T 528 H	-40	+40	3	3	+125	+125	+200	+200	175	bar
T 548 H	0	+95	3	3	+200	+200	+250	+250		
T 568 H ¹⁾	+60	+180	3	3	+300	+300	+350	+350		
T 588 H ²⁾	+160	+300	3.5	3.5	+400	+400	+450	+450		

1) In case process temperature > 140 °C, Direct mount sensing bulb is not recommended.

2) Not in combination with Direct mount sensing bulb.

For extended selection and/ or specified technical information,
 please ask for the "BETA User Friendly" Catalogue.

Disclaimer: We reserve the right to make changes or modify the contents of this document without prior notice. BETA B.V. does not accept any liability or claim whatsoever for potential errors, incorrect interpretation or possible lack of information in this document. It is clearly and only intended as course and general information of our products.

Making the modelcode: Follow steps 1 to 5

1 Selection of enclosure type.

Conduit	Material	Enclosure code
Pg13.5	Aluminium	Z1
M20x1.5	Aluminium	Z2
3/4" NPT F	Aluminium	Z3
1/2" NPT F	Aluminium	Z4
M20x1.5	SS 316	Z8
3/4" NPT F	SS 316	Z9

2 Selection of range code, see front page

3 Selection of process connection.

Process Connection	Code	Type of temperature sensing bulb	
1/2" NPT (M)	D00	Direct mount	128 mm length
	D02	Direct mount	225 mm length
	C02	Capillary mount	2 m. capillary length
	C05	Capillary mount	5 m. capillary length
	C10	Capillary mount	10 m. capillary length
	CXX	Capillary mount	Special capillary length

Note: All SS 316 stainless steel sensor, capillary (SS 304 armored) and compression fitting.

1) Not in combination with range T588H (+160/+300 °C), not recommended with T588H in case of process temperature >140 °C.

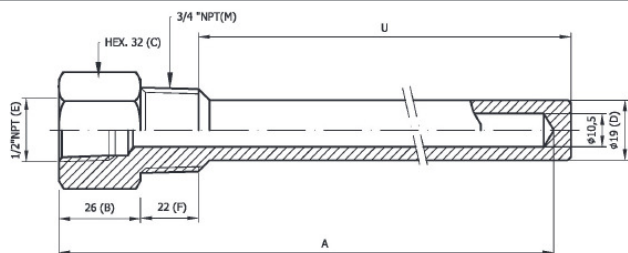
2) Length of capillary should be specified, consult your BETA Switch Representative. (Max 15 m.)

4 Selection of wetted parts

All temperature switches have "S0" welded diaphragm.

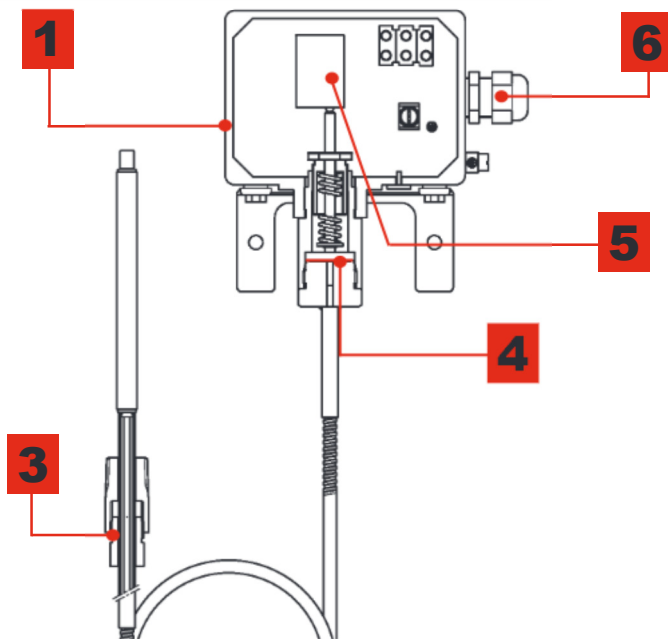
Accessoires:

Thermowell (SS 316)



Standard BETA Thermowell

CODE	INSERTION LENGTH U (MM)	INSERTION ELEMENT LENGTH A (MM)	FIT TO BETA TEMP. SENSING BULB
TW 11	115	155	D00, C02, C03
TW 15	155	195	C02, C03, C05
TW 19	190	228	D02, C02, C03, C05



5 Selection of microswitches

Rating		Use:	Switch Code: ¹⁾
VAC.	VDC.		
250/ 5A	250/ 0.25A	ATEX approved. For z-series only	R1
250/ 5A	250/ 0.25A		R2

1) For D.P.D.T action, second code figure should be specified as "2"
For example: R1 = S.P.D.T./ R2 = D.P.D.T

6 Selection of options

Description	Option code
Cable gland	C
Vacuum Protection Plate	M
Stainless steel tag key ringed to enclosure (Tag has 2 lines - 16 characters per line)	S
Epoxy coating of enclosure and sensorbody (external)	Y

Accessoires:

2" Pipe mount bracket set available.

Contents :

2 x bolts M6 x 100 mm + washer + nut
Size +/- 1,5 mm / Material SS 304

Disclaimer :

This pipe mount bracket is solely intended for use in combination with BETA Pressure & Temperature Switches.

Foundation vibrations, as well as process vibrations, can disturb the proper functioning of the mounted instrument, the use of this bracket does not prevent or diminishes such occurrence.

NOTES:

- BETA Thermowells to be ordered as separate item. Do not include Thermowell code into the switch code.
- Special Thermowell possible. Consult your BETA Switch Representative.